

CAL. No. D195

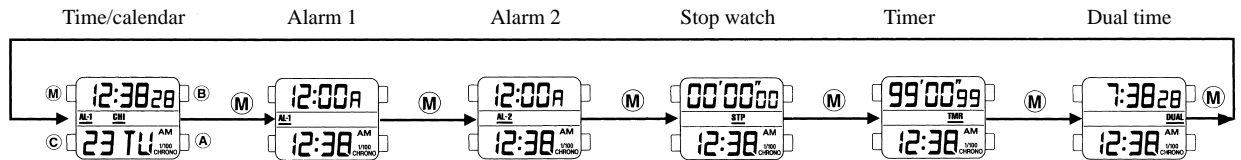
INSTRUCTION MANUAL

SPECIFICATION

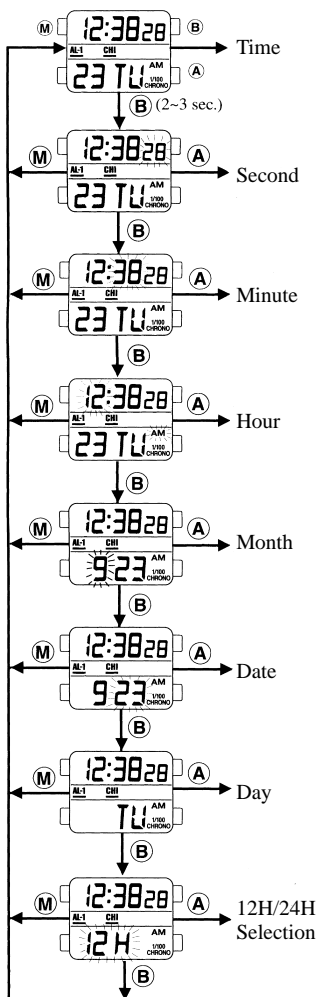
- **DISPLAY**
- TIME** Hour/Min/Sec, AM/PM, 12H/24H
- CALENDAR** Day/Date (Month/Date)
- ALARM 1** Hour/Min, (AM/PM)
- ALARM 2** Hour/Min, (AM/PM)
- STOPWATCH** Min, Sec, 1/100 Sec (Up to 24 Hours)
- TIMER** Min/Sec (Up to 99 min)
- DUAL TIME** Hour/Min, Sec, AM/PM
- **BATT. LIFE** About 3 years (CR-2061x1)

The power cell is a monitor power cell that has been factory installed. For this reason it may wear out before the 3 years from the time of purchase is up.

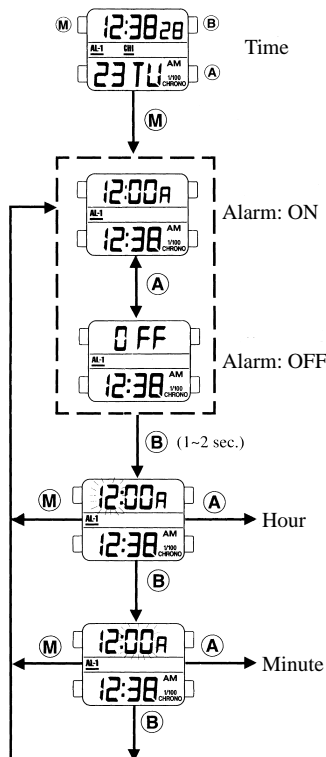
SELECTION OF DISPLAY



1 HOW TO SET TIME AND CALENDAR



2 ALARM SETTING (1 & 2)

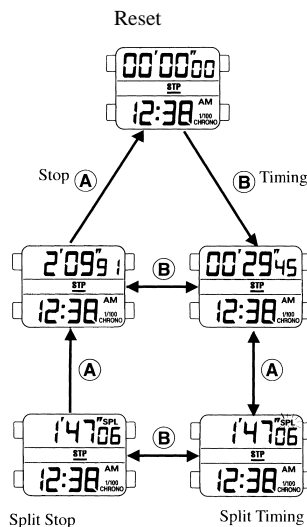


● ALL-RESET



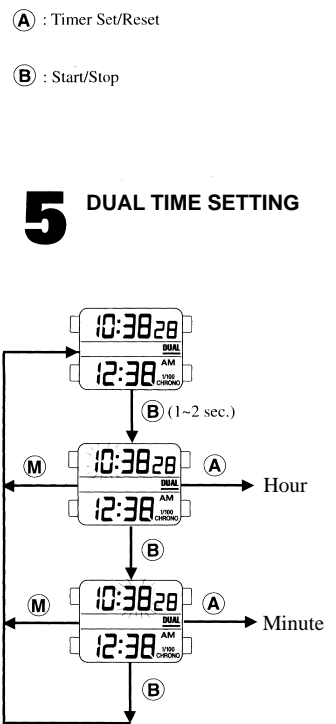
Press buttons (A), (B), (C) and (M) simultaneously.

3 STOPWATCH

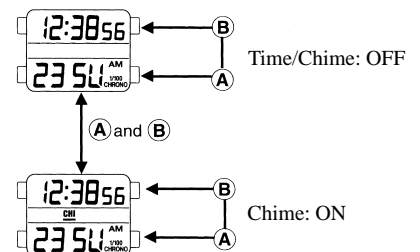


* Timing up to 23 hours 59 min. 59 sec.

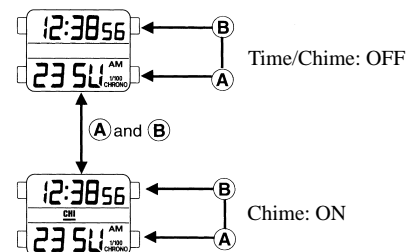
4 TIMER



5 DUAL TIME SETTING



6 CHIME



(A) : Timer Set/Reset

(B) : Start/Stop